

Modular

FOR RESIDENTIAL LIGHTING



- attractive selection
- modular design
- easy to install and maintain
- completely recycleable
- approved in many applications

elkamet

THE ELKAMET MODULAR SYSTEM DESIGNED FOR INDIVIDUALISTS



The desire for individualism is the key to new markets. Today's customers require products tailored to their specific needs but also easy to handle. The ELKAMET Modular System will exactly satisfy these demands: it offers your customers a completely new shopping experience keeping pace with today's trends.
For other than residential applications please see our catalogues "Elements for exterior lighting"

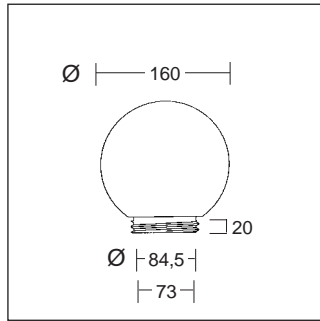


The basic components of the ELKAMET Modular System are the ELKAMET fittings, the mounting and the spheres. Available in different sizes, styles and colours, the single elements of the system can be combined according to your individual requirements. Assembly is child's play: equipped with either a screw thread or a bayonet all ELKAMET spheres can be simply screwed into the fitting.
The result: luminaires of premium quality and a new decorative range based on more than one hundred possible combinations of the ELKAMET System.



Lamp enclosures

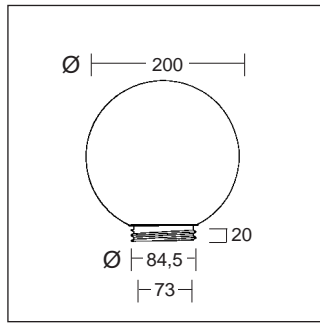
Sphere 160 mm
with thread 84,5 mm

 max. 60W
 7 - 15W





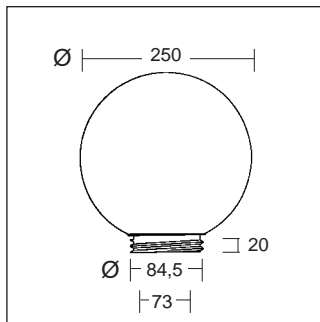
Sphere 200 mm
with thread 84,5 mm

 max. 60W
 7 - 20W





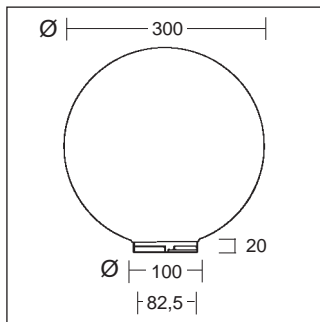
Sphere 250 mm
with thread 84,5 mm

 max. 60W
 7 - 20W





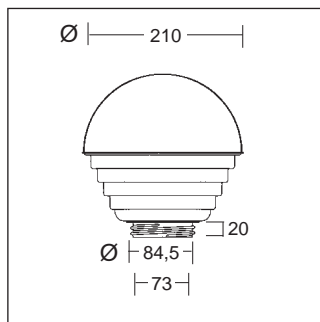
Sphere 300 mm
with bayonet 100 mm

 max. 60W
 7 - 20W





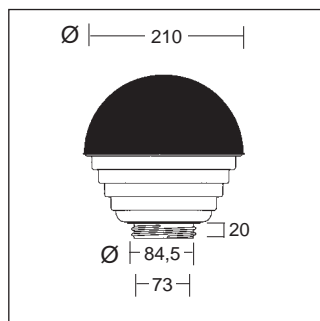
Luna 200
with thread 84,5 mm

 max. 60W
 7 - 20W



Luna 200
with thread 84,5 mm
black top



 max. 60W
 7 - 20W

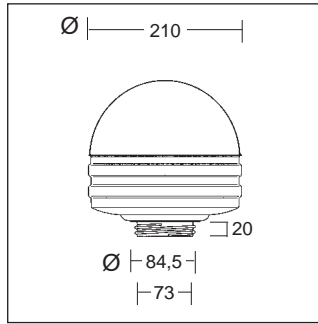


colours	material	ref.-no.	pcs/ pack.	gross weight	ext. dim. of carton			
Opal	PMMA	74160/40	60	15 kg	60x80x60 cm			
Clear		74160/45						
Gold		74160/47						
Smoke		74160/48						
Soft opal		74160/65						
Clear	PC	73160/05						
Gold		73160/07						
Opal		73160/11						
Opal	PMMA	74200/40				32	15 kg	60x80x60 cm
Clear		74200/45						
Gold		74200/47						
Smoke		74200/48						
Soft opal		74200/65						
Clear	PC	73200/05						
Gold		73200/07						
Opal		73200/11						
Opal	PMMA	74250/40	1	0,8 kg	27x27x27 cm			
Clear		74250/45						
Gold		74250/47						
Smoke		74250/48						
Soft opal		74250/65						
Clear	PC	73250/05						
Gold		73250/07						
Opal		73250/11						
Opal	PMMA	74300/40				1	1,1 kg	31x31x32 cm
Clear		74300/45						
Gold		74300/47						
Smoke		74300/48						
Soft opal		74300/65						
Clear	PC	73300/05						
Gold		73300/07						
Opal		73300/11						
Opal	PMMA	742198/40	32	15 kg	60x80x60 cm			
Clear		742198/45						
Gold		742198/47						
Smoke		742198/48						
Opal	PMMA	742291/40	32	15 kg	60x80x60 cm			
Clear		742291/45						
Gold		742291/47						
Smoke		742291/48						



Lamp enclosures

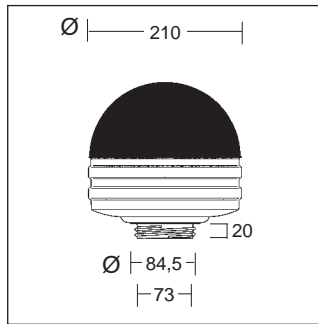
Merkur 200
with thread 84,5 mm

 max. 60W
 7 - 20W





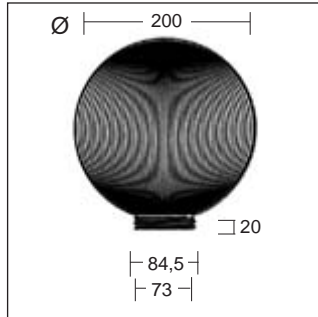
Merkur 200
with thread 84,5 mm
black top

 max. 60W
 7 - 20W





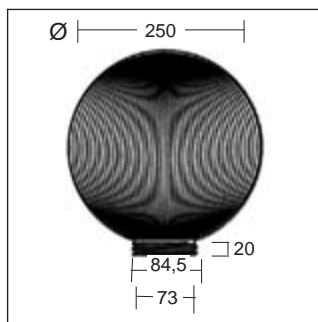
Prism. sphere 200 mm
with thread 84,5 mm

 max. 60W
 7 - 20W





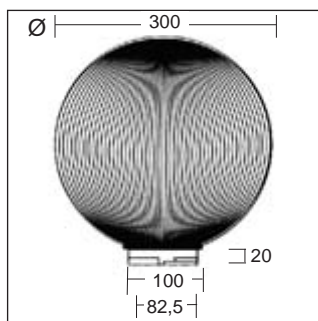
Prism. sphere 250 mm
with thread 84,5 mm

 max. 60W
 7 - 20W





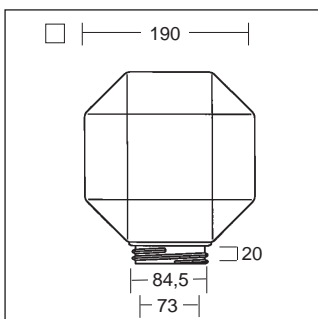
Prism. sphere 300 mm
with bayonet 100 mm

 max. 60W
 7 - 20W



Polycube 200 mm
with thread 84,5 mm

 max. 60W
 7 - 20W

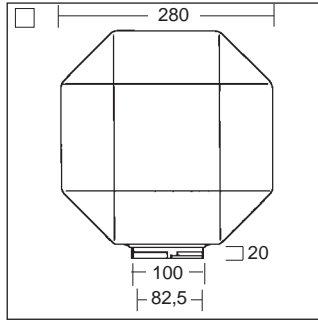


colours	material	ref.-no.	pcs/ pack.	gross weight	ext. dim. of carton
Opal	PMMA	742199/40	27	15 kg	60x80x60 cm
Clear		742199/45			
Gold		742199/47			
Smoke		742199/48			
Opal	PMMA	742292/40	27	15 kg	60x80x60 cm
Clear		742292/45			
Gold		742292/47			
Smoke		742292/48			
Clear	PMMA	741857/45	32	15 kg	60x80x60 cm
Gold		741857/47			
Smoke		741857/48			
Clear	PMMA	741858/45	1	0,8 kg	27x27x27 cm
Gold		741858/47			
Smoke		741858/48			
Clear	PMMA	741824/45	1	1,1 kg	31x31x32 cm
Gold		741824/47			
Smoke		741824/48			
Opal	PMMA	741974/40	30	15 kg	60x80x60 cm
Clear		741974/45			
Gold		741974/47			
Smoke		741974/48			

Lamp enclosures

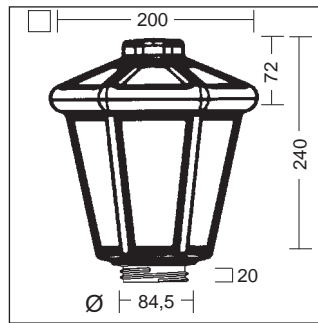
Polycube 280 mm
with bayonet 100 mm

max. 60W
7 - 20W



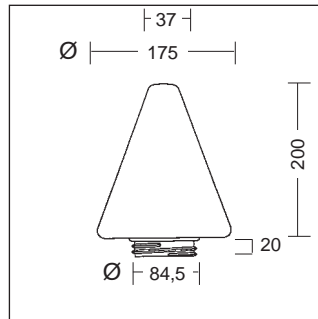
Lantern 250 mm
with thread 84,5 mm

max. 60W
7 - 20W



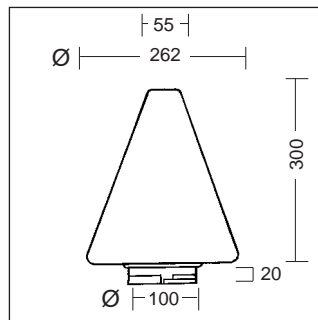
Cone 200 mm
with thread 84,5 mm

max. 60W
7 - 20W



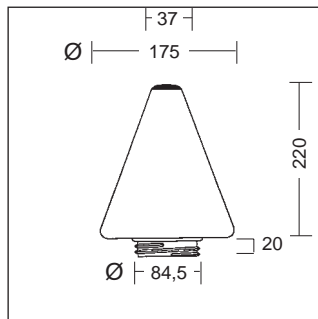
Cone 300 mm
with bayonet 100 mm

max. 60W
7 - 20W



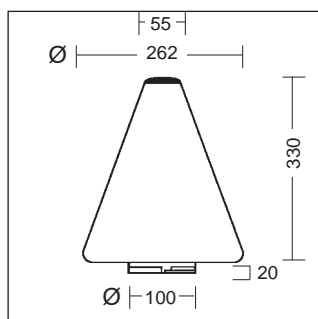
Cone 200 mm
with thread 84,5 mm
black top

max. 60W
7 - 20W



Cone 300 mm
with bayonet 100 mm
black top



max. 60W
7 - 20W



colours	material	ref.-no.	pcs/ pack.	gross weight	ext. dim. of carton
Opal	PMMA	741851/40	1	1,1 kg	31x31x32 cm
Clear		741851/45			
Gold		741851/47			
Smoke		741851/48			
Opal	PMMA	742564/40	1	0,8 kg	27x27x27 cm
Clear		742564/45			
Gold		742564/47			
Smoke		742564/48			
Opal	PMMA	741998/40	60	17,8 kg	60x60x80 cm
Clear		741998/45			
Gold		741998/47			
Smoke		741998/48			
Opal	PMMA	741992/40	1	1,1 kg	31x31x32 cm
Clear		741992/45			
Gold		741992/47			
Smoke		741992/48			
Opal	PMMA	742063/40	60	17,8 kg	60x80x60 cm
Clear		742063/45			
Gold		742063/47			
Smoke		742063/48			
Opal	PMMA	742064/40	1	1,1 kg	31x31x32 cm
Clear		742064/45			
Gold		742064/47			
Smoke		742064/48			

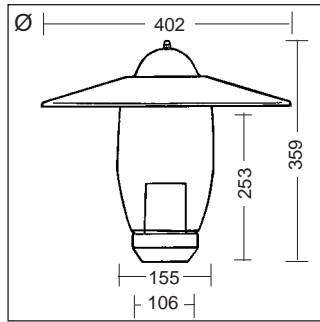
Lamp enclosures

Auris mini
with bayonet
100 mm

 max. 60W
 7 - 20W

aluminium top

versatile fitting 1972
with
holder E27
for bayonet 100 mm



colours	material	ref.-no.	pcs/ pack.	gross weight	ext. dim. of carton
Clear	PMMA	742252/45	1	1,2 kg	17x17x36 cm
charcoal white			1	1,3 kg	11x41x41 cm
charcoal			1		lamp enclosure contents fitting

Cleaning instructions

Elkament lamp enclosures should be cleaned from time to time to maintain their clarity.

Cleaning

– Wipe lamp enclosure with moist chamois leather and clean with a material-compatible cleaning agent inside and outside.

Mild soap solutions can be used to clean ELKAMET lamp enclosures and fittings made of PC and PMMA.

Rinse thoroughly with clear water and let dry.

– Clean lacquered and varnished reflectors and cover plates with moist chamois leather; clean anodized mirror reflectors with a soft cloth.

The cleaning intervals depend on the design of the lighting fixture and on ambient conditions.

Customary cleaning interval: 1-2 years.

Intense grime can be removed with suitable easily volatile solvents. Please refer to table below.

Ensure only brief exposure to solvent and cleaning agent. Rinse thoroughly with clean water.

Polycarbonate PC

The engineering plastic polycarbonate meets highest standards with regard to brilliance and impact strength.

A high continuous heat resistance of 90° C, briefly even up to 140° C ensures that it will withstand extreme environment conditions and allows the use of high-wattage lamps.

The high impact strength is retained, even at extreme subzero temperatures down to – 40° C.

Polymethylmethacrylate PMMA

PMMA-acrylic is a material of unsurpassed resistance to weathering and ageing.

ELKAMET-acrylic spheres have an exceptional brilliance which does not diminish, even after prolonged use, due to optimum surface hardness.

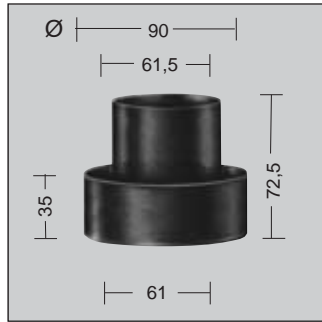
ELKAMET-acrylic lamp enclosures with modern light sources are particularly efficient provided that the maximum operating temperature does not exceed 75° C.

Physical properties of the plastic materials	Test method	Unit	PC Non- coloured poly- carbonate	PMMA Non- coloured polymethyl- meth- acrylate
Density	DIN 53479	g / cm ³	1,20	1,18
Flexural yield strength	DIN 53452	N / mm ²	95	120
Impact strength	DIN 53453	KJ / cm ²	not broken	11
Ball indentation hardness	DIN 53456	N / mm ²	110	190
Shear modulus (20°)	DIN 53445	N / mm ²	750	
Elongation at break	DIN 53455	%	110	4,5
Softening point VST/B	DIN 53460	° C	148	100
Continuous temperature inside lamps		° C	85-90	70-75
Light transmission	DIN 5036	%	88	88
Water absorption	DIN 53495	%	0,36	0,30
Combustibility	UL 94		UL 94 - V2	UL 94 -HB

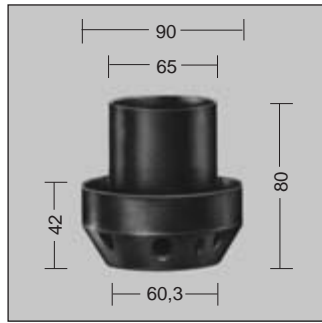
As the measurements have been made with test specimens of the corresponding materials, above figures are for guidance only.

Fittings

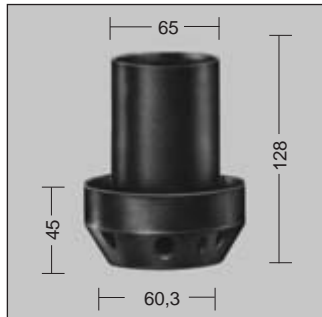
Thread fitting
with holder E 27
for thread 84,5 mm



Versatile fitting
with holder E 27
for thread 84,5 mm



Versatile fitting
with holder E 27
for bayonet 100 mm



Pole Ø 60 mm
length 600 mm



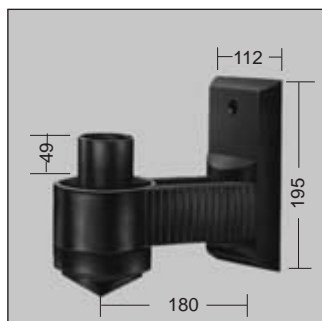
Pole Ø 60 mm
length 1200 mm

Pole Ø 60 mm
length 1800 mm

colours	ref.-no.	pcs/ pack	gross weight	ext.dim. of carton
Black	2245/S	100	9,5 kg	41x41x42 cm
Black	1961/S	100	13 kg	41x41x42 cm
White	1961/W			
Black	1972/S	48	8,5 kg	41x41x42 cm
White	1972/W			
Black	1999/S 600 mm	30	12,0 kg	81x41x32 cm
White	1999/W 600 mm			
Black	1999/S 1200 mm	30	24,0 kg	130x41x32 cm
White	1999/W 1200 mm			
Black	1999/S 1800 mm	20	24,0 kg	
White	1999/W 1800 mm			206x25x31 cm

Fittings

Wall arm complete with holder E 27 for thread 84,5 mm

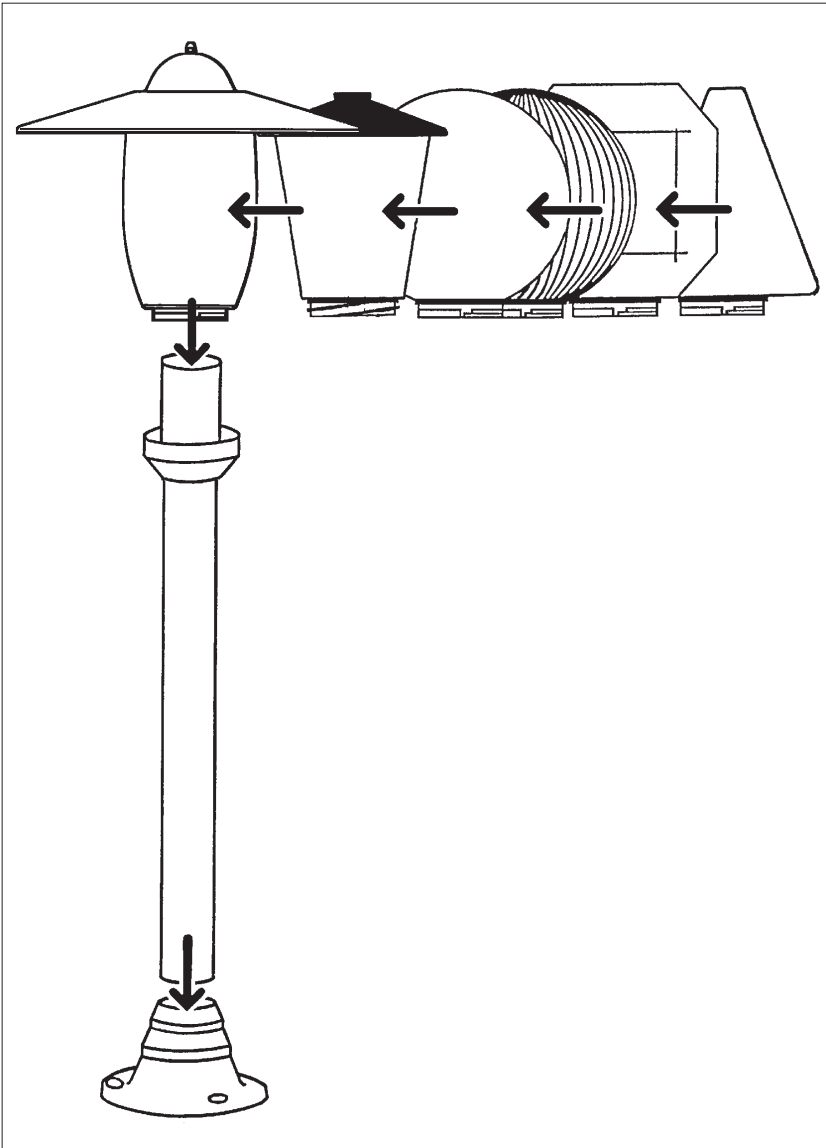


Pole base for pole 1999



colours	ref.-no.	pcs/ pack	gross weight	ext.dim. of carton
Black	2049/S	16	9 kg	41x41x42 cm
White	2049/W			
Black	1982/S	15	6 kg	41x41x42 cm
White	1982/W			

THE ELKAMET-MODULAR SYSTEM OBVIOUS BENEFITS-HIDDEN DETAILS



Versatile: The result is not only a stylish appearance, but in addition corrosion resistance and a removal with nothing in it even after years.

Tenacious and water-proof: ELKAMET lamp enclosures are manufactured of plastics with a high impact and weather resistance, are as light as feather, and offer high optical brilliance.

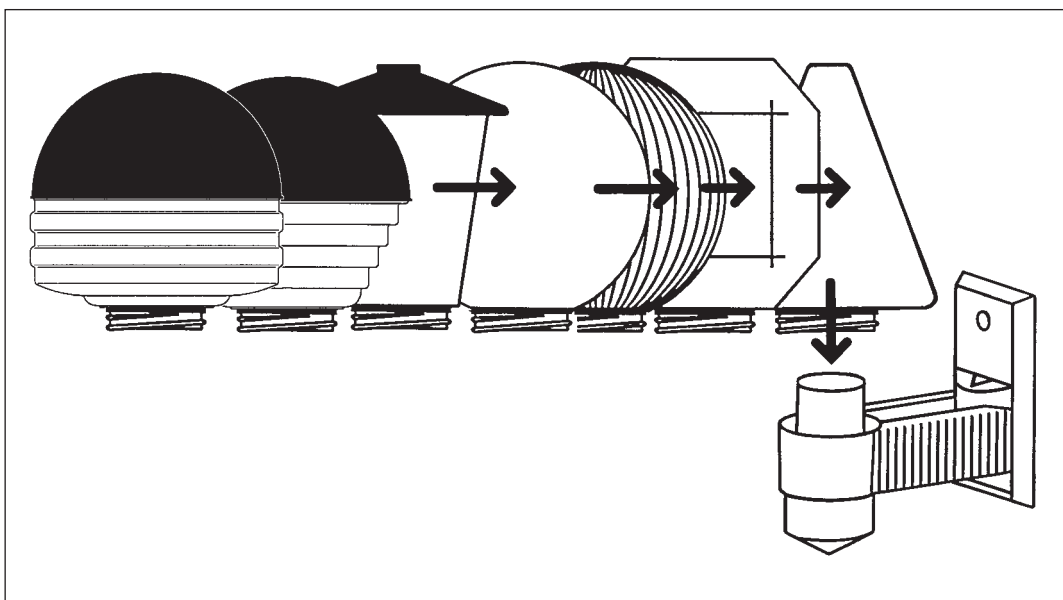
The standardized screw thread or bayonet allows for a speedy and efficient exchange of both, sphere and light source.

Naturally, all ELKAMET spheres can be recycled when returned to our factory.

Nothing is easier: the ELKAMET fitting is mounted in minutes. Just attach the light-bulb and sphere, ready!

THE ELKAMET MODULAR SYSTEM BENEFITS WHICH ARE CONVINCING

1. ELKAMET spheres built of high quality engineering plastics, manufactured seamless. Highly enduring and weather-proof. No dust penetration possible, therefore virtually maintenance-free. The ELKAMET system can be recycled.
2. Simple and speedy DIY assembly, no technicians needed. For maintenance easy access to light source, no need for tools any more.
3. Stylish, timeless design. High corrosion resistance of all fittings.
4. It goes without saying that the ELKAMET Modular System meets on proper use the electrotechnical safety regulations.
5. Rational manufacturing technology and the modular system guarantee favourable conditions, thus even with sophisticated production processes using high grade engineering plastics you gain exceptional price benefits.



THE ELKAMET MODULAR SYSTEM
BENEFITS WHICH ARE CONVINCING



Elkamet Kunststofftechnik GmbH
PO Box 1263
D-35202 Biedenkopf/Germany
Phone: +49 64 61/9 30-0
Fax: +49 64 61/9 30-106
E-mail: sales@elkamet.com
<http://www.elkamet.com>



KUNSTSTOFFTECHNIK